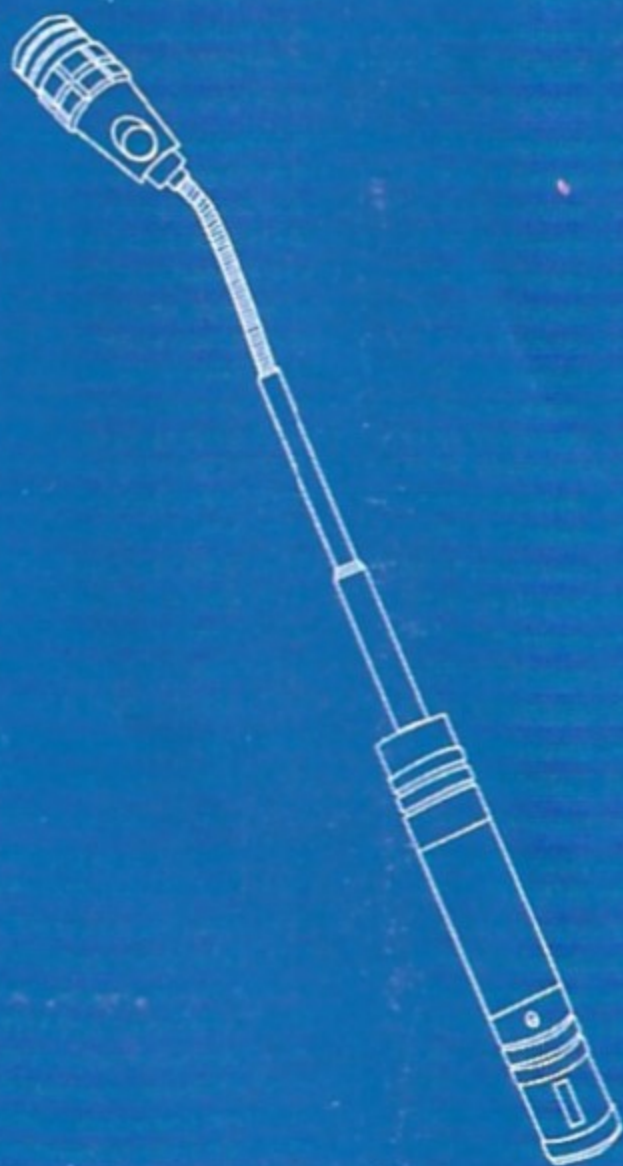




# HALO<sup>®</sup>

## HALO LED TELESCOPING LIGHT



### Operating Instructions

## **HALO TELESCOPING LED LIGHT**

Thank you for choosing HALO. Innovative, lightweight and easy to use, the HALO LED TELESCOPING LIGHT provides a powerful LED flood light and a telescoping flashlight. In addition, it includes visual warning, strobe and SOS distress light modes and a convenient magnetic pickup feature. Please read the operating instructions carefully.

## **CONTENTS**

Included Items

Getting Started

Operating Instructions

Storing/Handling/Cleaning

Safety Precautions

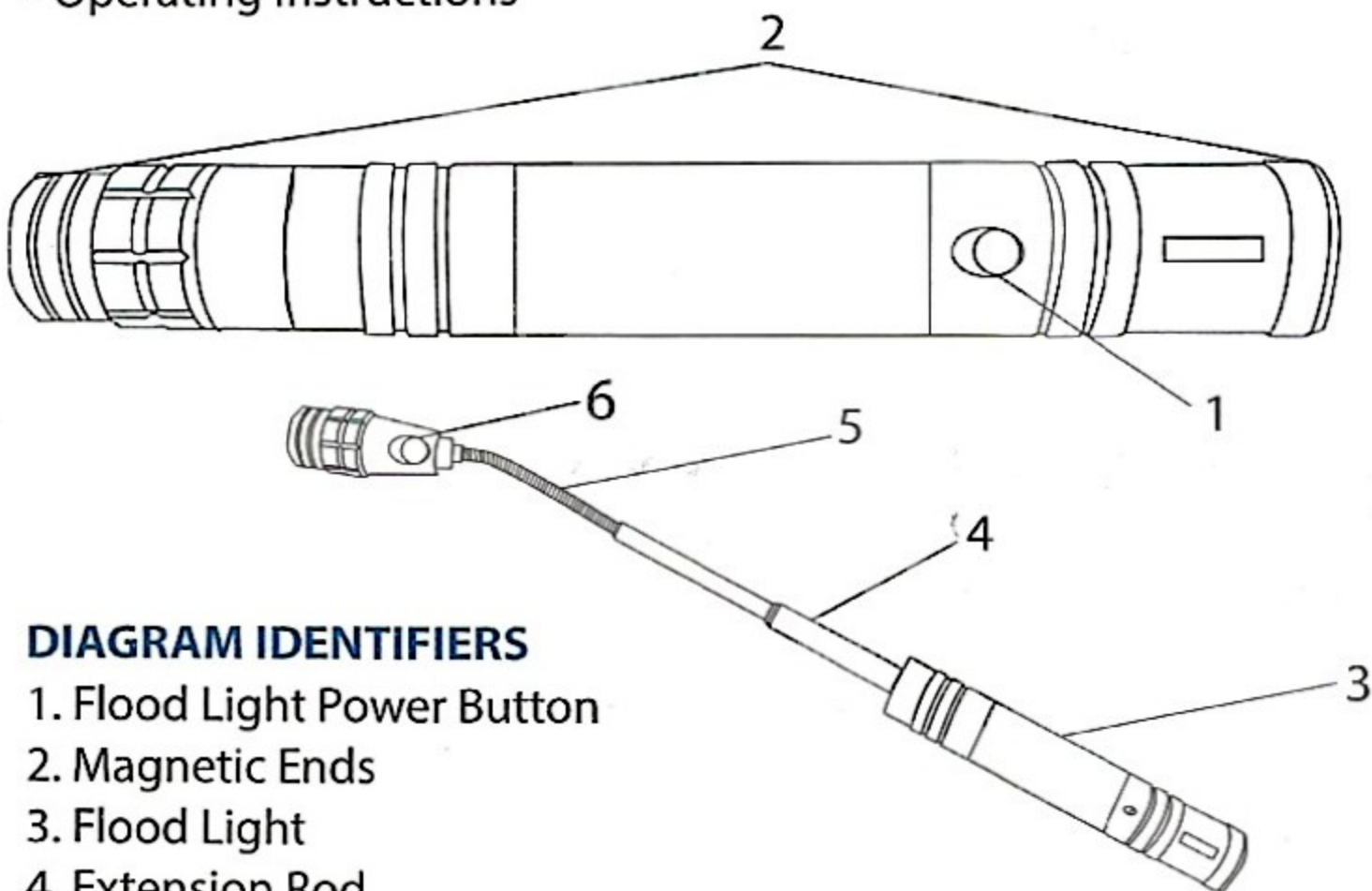
Specifications, Warranty

Contact Information



## INCLUDED ITEMS

- 3 HALO LED Telescoping Lights
- 3 AAA Size (LR03) Batteries installed per flashlight
- 3 coin cell (LR44) Batteries installed per flashlight
- Operating Instructions



## DIAGRAM IDENTIFIERS

1. Flood Light Power Button
2. Magnetic Ends
3. Flood Light
4. Extension Rod
5. Bendable Extension Rod
6. Flashlight Head Power Button

## GETTING STARTED

- Unscrew the flashlight head of the HALO LED Telescoping Light and remove the plastic cover protecting the coin cell (LR44) batteries (included).
- Unscrew the magnetic base of HALO LED Telescoping Light and remove the plastic cover protecting the AAA (LR03) batteries (included).

## OPERATING INSTRUCTIONS

### TO TURN ON/OFF

- To turn On/Off the **Flood Light**, press the black power button. The black button can be found on the middle body of the HALO LED Telescoping Light. First click for the white flood light (1), second click for the red warning light, third click for red warning

light strobe, fourth click to turn off.

- To turn On/Off the **Telescoping Flashlight**, pull out the flashlight head and press the black power button (6). The black button can be found on the side of the Telescoping flashlight head.

- To turn On/ Off the **SOS**, press and hold the black power button (1) which can be found on the middle body of the HALO LED Telescoping Light for 3 seconds to turn on. Press the button again to turn off.

## **HALO LED TELESCOPING LIGHT FEATURES**

### **EXTENSION FEATURE**

- To use the extension feature of the HALO LED Telescoping Light simply hold the body of the flashlight with one hand and the flashlight tip with the other hand and pull the extension out to the desired level. Once the HALO LED Telescoping Light is extended to the desired length, you can adjust the bendable portion and position the flashlight head as desired.

- When extending the flexible flashlight to the maximum length, we recommend you first put the flexible part back into the telescopic metal shaft prior to closing it.

### **MAGNETIC PICK-UP TOOL**

- Pull out the flashlight head located at the end of the flashlight. The magnetic telescopic shaft can extend up to 645 mm.

### **MAGNETIC FEATURE**

- Both ends of the HALO LED Telescoping Light have a built in magnet. To use this feature simply place either end of the flashlight against a metal object or surface. There are a number of ways that this feature can be used to help solve your everyday problems.

### **TO REPLACE THE AAA BATTERIES**

1. Unscrew the magnetic base of the HALO LED Telescoping Light. Remove plastic housing that holds the batteries and slide



out the batteries. Old batteries should be recycled or disposed of as per state and local guidelines.

2. Replace the three AAA (LR03) batteries

### **TO REPLACE THE COIN CELL BATTERIES**

1. Unscrew the flashlight head of the HALO LED Telescoping Light. Remove plastic sleeve that holds the batteries and slide out the batteries. Old batteries should be recycled or disposed of as per state and local guidelines.

2. Replace the three 3X Coin Cell (LR44) batteries

### **STORING/HANDLING/CLEANING**

- Do not get wet or store in extreme temperature conditions
- Do not disassemble the HALO LED Telescoping Light or attempt to repair it
- If the flashlight gets dirty, clean it with a dry cloth. Do not use liquid detergent or chemicals of any kind
- If your flashlight is accidentally submersed or exposed to water, dry out any water before using again
- Do not store batteries in the sunlight for long periods of time, they may leak and damage the flashlight.

### **SAFETY PRECAUTIONS**

When used in the directed manner, this unit has been designed and manufactured to ensure your personal safety. However, improper use can result in potential electrical shock or fire hazards. Please read all safety and operating instructions carefully before installation and use, and keep these instructions handy for future reference.

- When the flashlight is on, never look directly at the illuminated LEDs.
- Batteries should be recycled or disposed of as per state and local guidelines.

### **WARNING ON BATTERIES**

- Never mix alkaline, standard (carbon-zinc) and rechargeable

(nickel hydride).

- Don't mix new and used batteries.
- Don't attempt to recharge non rechargeable batteries.
- Remove rechargeable batteries from the device before charging them.
- Rechargeable batteries must always be recharged under adult supervision.
- Remove used batteries.
- Always use the recommended or equivalent battery types.
- Always pay attention to battery polarity.

**WARNING:** You should not dispose of this device with your household waste. A selective collection system for this type of product is implemented by your local authorities. Please contact your local authorities to find out how and where collection takes place. These restrictions apply because electrical and electronic devices contain dangerous substances that have harmful effects on the environment or on human health and must be recycled.

## **SPECIFICATIONS**

- Model: H2C-TLED
- 3 LED (head) + 18 white SMD(2835) LEDs + 9 red SMD (2835) LEDs aluminum Magnetic pick up tools flashlight
- Size: (Extend to 645 mm) 255(L)x26(Head.Dia.) x28(Body Dia.)mm
- Weight :190g
- Battery: 3xAAA(LR03) body + 3X Coin Cell (LR44 ) head, (included)
- Runtime: 2 hours / 5 hours / 10 hours / 15 hours
- Output/Runtime: Head 3 white LEDs 6 lumens, 2 hours . Body 18 white LEDs 120 lumens, 5 hours -> 9 red LEDs 9 lumens,10 hours -> 9 red LEDs strobe , 9 lumens ,15 hours. Hold the switch for 3 seconds turn ON SOS 9 lumens ,24 hours.
- Working mode: Head 3 LEDs ON/OFF  
Body 18 white LEDs->9 red LEDs->9red LEDs strobe->OFF



## LIMITED WARRANTY

HALO warrants its products to be free from defects in material and workmanship under normal use. Conditions are as follows:

- During the first 90 days from date of purchase, HALO will repair or replace the defective product.
- HALO will, subject to inspection, repair the defective product or replace it with a new or reconditioned unit. The return must be accompanied by a Return Merchandise Authorization (RMA) number to be issued upon request, and must be shipped prepaid.
- Warranty is void if the product has been improperly handled or misused in any way, or if the label and/or bar-coded warranty label has been removed or tampered with.
- Where applicable, all requests for warranty returns must be accompanied by a proof of purchase.
- The warranty does not extend to the electronic equipment that is used or which incorporates with any of our products and accessories. HALO shall not be held responsible for the improper use of its products.
- For all questions or exchange requests, please call 020 3318 9944, or email us at [support@BestHALO.com](mailto:support@BestHALO.com)

To contact us, email us at  
[support@BestHALO.com](mailto:support@BestHALO.com)  
or call 020 3318 9944

The HALO Logo is a registered  
trademark of HALO INTERNATIONAL SEZC LTD

Imported by QVCUK  
W4 5XU  
WEEE code 02807164  
[www.qvcuk.com](http://www.qvcuk.com)

HALO INTERNATIONAL SEZC LTD.  
68 West Bay Road  
Georgetown, Grand Cayman  
KY1-1003 Cayman Islands  
[www.BestHALO.com](http://www.BestHALO.com)

Designed by HALO INTERNATIONAL SEZC LTD. [www.BestHALO.com](http://www.BestHALO.com)  
in Cayman Islands

Patent Pending.  
Made in China.

